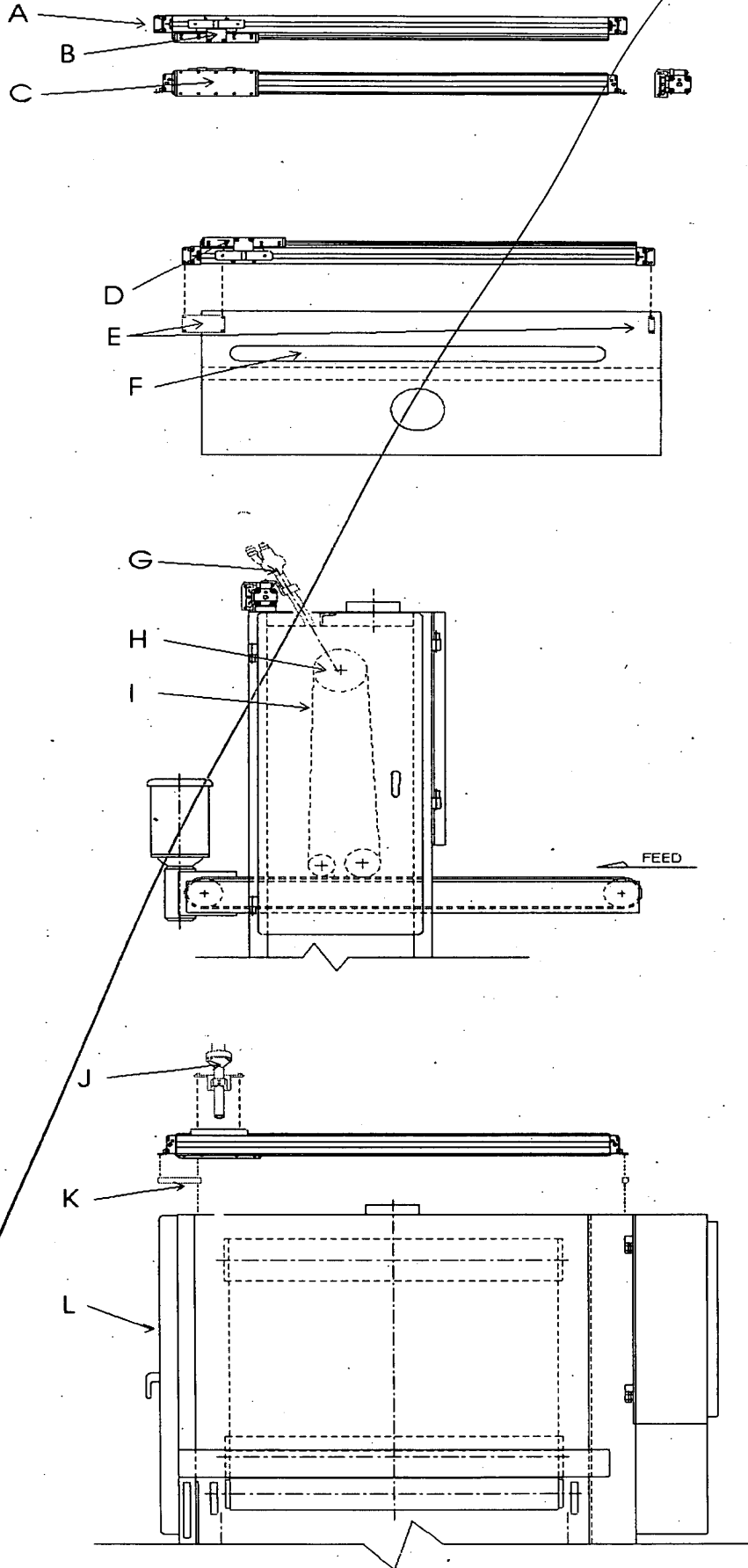


FIGURE 1, A through L illustrate a perspective view of the mechanical and pneumatic elements of a portion of the cleaning system in accordance with the invention.

5
3,203



08918078.082597
265280 82081680